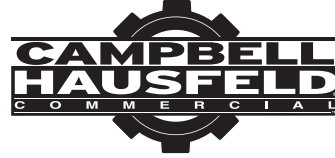


# 1 inch Snub Nose Impact Wrench



MODEL: CL215700AV

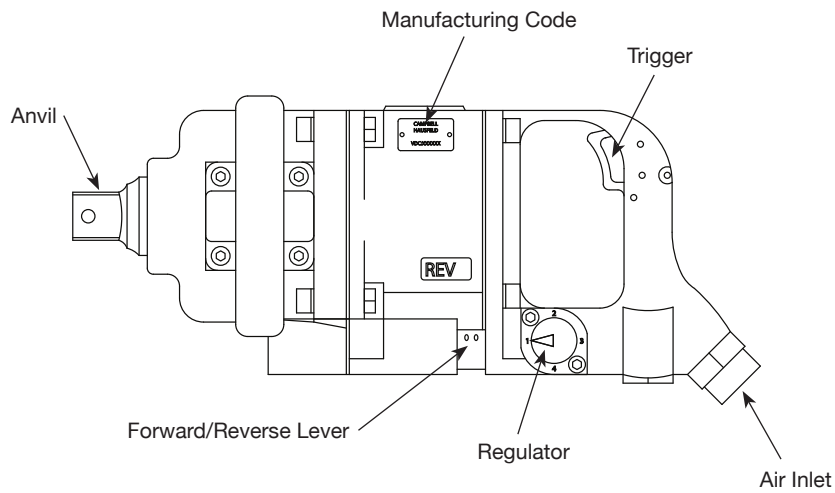


Figure 1 - Impact wrench features

## Description

Impact wrenches are designed for removing and installing nuts and bolts. A rotating mechanism delivers a series of blows that produces torque to remove or install a fastener.

## Specifications

Average . . . . .	16.4 SCFM @ 90 PSIG (18% usage)
Air Consumption	
Continuous . . . . .	91.3 SCFM @ 90 PSIG (100% usage)
Air Consumption	
Max Operating Pressure . . . . .	90 PSIG
Max RPM . . . . .	5600
Max Torque . . . . .	1650 ft. lb
Working Torque . . . . .	200-1250 ft.lb
Impact Mechanism Type . . . . .	Twin Hammer
Bolt Capacity . . . . .	1-1/4 inch
Air Inlet . . . . .	1/2-14 NPT (Female)
Minimum Hose Size . . . . .	1/2 inch
Drive . . . . .	1 inch Sq
Weight . . . . .	24 lbs.

---

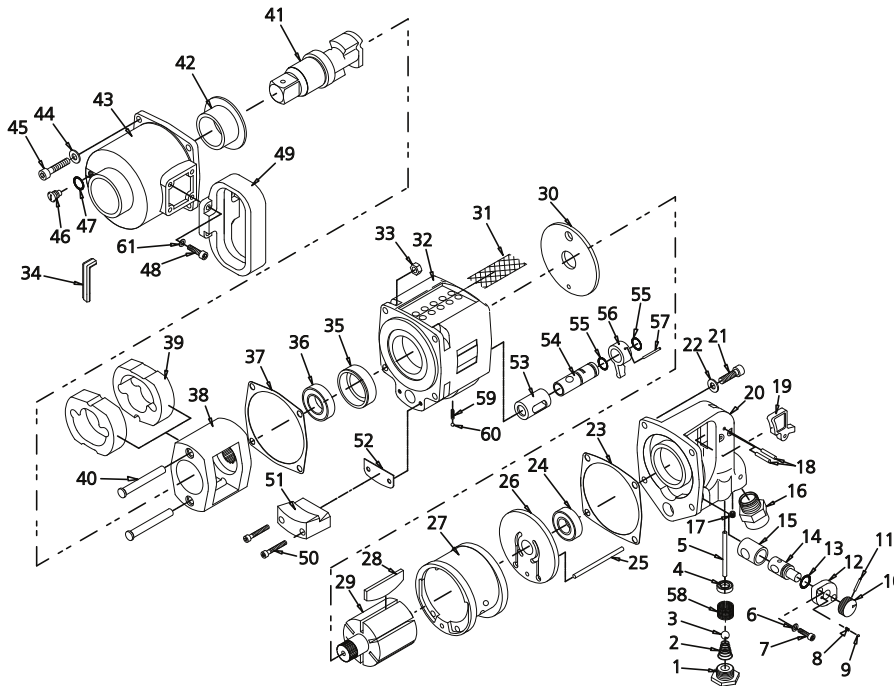
**For Replacement Parts or Technical Assistance,  
Call 1-855-504-5678**

*Please provide following information:*

- Model number
- Serial number (if any)
- Part description and number as shown in parts list

*Address any correspondence to:*

Campbell Hausfeld  
Attn: Customer Service  
100 Production Drive  
Harrison, OH 45030 U.S.A.



---

**REGISTER YOUR PRODUCT ONLINE NOW!**  
<http://reg.ch-commercial.com>

**REPLACEMENT PARTS LIST**

Ref. No.	Description	Part No.	Qty.
1	Inlet Plug	■	1
2	Trigger Spring	■	1
3	Trigger Ball	■	1
4	Ball Seat	■	1
5	Trigger Pin	■	1
6	Split Lock Washer	○	2
7	Socket Head Cap Screw	○	2
8	Regulator Spring	○	1
9	Regulator Ball	○	1
10	Regulator Knob	○	1
11	Roll Pin	○	1
12	Regulator Plate	○	1
13	O-ring	○	1
14	Regulator Valve	○	1
15	Regulator Bushing	○	1
16	Inlet	■	1
17	Set Screw	■	1
18	Trigger Pin	■	2
19	Trigger	■	1
20	Pistol Grip Handle	SV022000AV	1
21	Socket Head Cap Screw	--	4
22	Split Lock Washer	--	4
23	Rear End Plate Gasket	△	1
24	Rear Bearing	▲	1
25	Alignment Pin	▲	1
26	Rear End Plate	▲	1
27	Cylinder	--	1
28	Motor Vanes/Blades	▲	6
29	Rotor	--	1
30	Front End Plate	▲	1
31	Exhaust Screen	□	1
32	Motor Housing	--	1
33	Hex Nut	--	4
34	5 mm Hex Wrench	--	1
35	Front Bearing Housing	▲	1
36	Front Bearing	▲	1

*Continued on next page*

Replacement Parts Manual

Ref. No.	Description	Part No.	Qty.
37	Front Gasket	△	1
38	Hammer Cage	--	1
39	Double Jumbo Hammer	▼	2
40	Hammer Pin	▼	2
41	Anvil	▼	1
42	Anvil Bushing	▼	1
43	Impact Housing	--	1
44	Split Lock Washer	--	4
45	Socket Head Cap Screw	--	4
46	Oil Port Screw	--	1
47	O-ring	--	1
48	Socket Head Cap Screw	--	4
49	Dead Handle	SV024800AV	1
50	Socket Head Cap Screw	■ □	2
51	Exhaust Deflector	□	1
52	Exhaust Deflector Gasket	□	1
53	Forward/Reverse Bushing	◆	1
54	Forward/Reverse Valve	◆	1
55	O-ring	◆	2
56	Forward/Reverse Lever	◆	1
57	Roll Pin	◆	2
58	Inlet Screen	■	1
59	Spring	◆	1
60	Ball	◆	1
61	Lock Washers	--	4

**REPLACEMENT PARTS KITS**

Ref. No.	Description	Part No.
■	Trigger valve assembly kit	SV215703AV
▲	End plate/vanes/bearings kit	SV215704AV
▼	Impact mechanism kit	SV215705AV
◆	Forward/reverse mechanism kit	SV215706AV
○	Regulator kit	SV215707AV
□	Exhaust kit	SV215708AV
△	Gasket and Seal kit	SV215709AV
--	Not available	